

# MC-40

## HD/SD Channel Branding System



The MC-40 HD/SD Channel Branding System offers the full power of Utah Scientific's widely popular MC-400 system in a self-contained standalone package with complete functionality for live and automated master control applications. The MC-40 can be used as a single-channel system or as part of a multi-channel master control system under the control of an MC-2020 master control network.

The MC-40 offers a complete solution for handling EAS messages, including internal text crawl generator and audio clip storage that can automatically receive and store an EAS message from the alarm receiver and buffer it for presentation at the appropriate point in the channel's programming. Of course, direct presentation of messages is also supported for unattended operation.

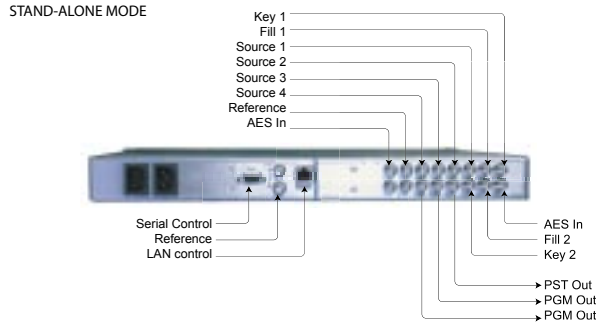
The MC-40 allows the operator to change between SD and HD operation with a single menu selection, allowing the channel to be re-purposed for operation with various signal formats during the course of normal operations.

### **MC-40 FEATURES**

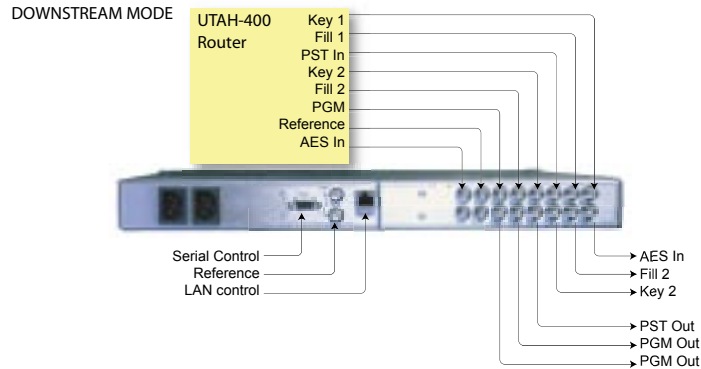
- STANDALONE MASTER CONTROL SYSTEM WITH FULL KEYING AND EAS FUNCTIONALITY
- DUAL KEYS, SWITCHABLE BETWEEN INTERNAL, EXTERNAL, AND LOGO SOURCES
- EMBEDDED AUDIO PROCESSING, EXTERNAL AUDIO INPUT, ON-BOARD AUDIO CLIP STORAGE
- 1RU and 2 RU CONTROL PANELS -- FULLY COMPATIBLE WITH MC-2020 CONTROL NETWORK

## MC-40 Product Information Sheet

The processor offers two fully independent keys, each of which can be fed by internal or external signals or by an internal logo store. Likewise, audio voice-over mixing can come from an internal embedded audio signal, an external discreet AES digital audio signal, or an on-board audio clip storage facility. Logos and audio clips can be downloaded directly to the MC-40 or via the MC-2020 control network. The MC-40 can be used as a fully independent system where up to four signal sources plus one Key/Fill pair are fed to the unit's inputs.



When the MC-40 is used downstream from a UTAH-400 router, Program and Preset bus switching are performed in the router. This makes all router sources potentially available to the master control channel and frees up inputs on the MC-40 to accept an additional pair of Key/Fill signals. For additional flexibility, router busses can be used to feed the Key/Fill inputs, the Reference input, and/or the AES input as desired.



The 2RU control Panel for the MC-40 features a full set of operational controls for all channel functions. In addition, the panel serves as the interface point for external signals such as automation interface and tally and GPI lines. The 1RU control panel offers transition, key, and EAS controls for applications where minimal operator intervention is required.

### FOR FURTHER INFORMATION

on the other products in our Master Control family, please refer to the detailed data sheets that are available on our Web Site:

[www.utahscientific.com](http://www.utahscientific.com)